

001

NO. 814

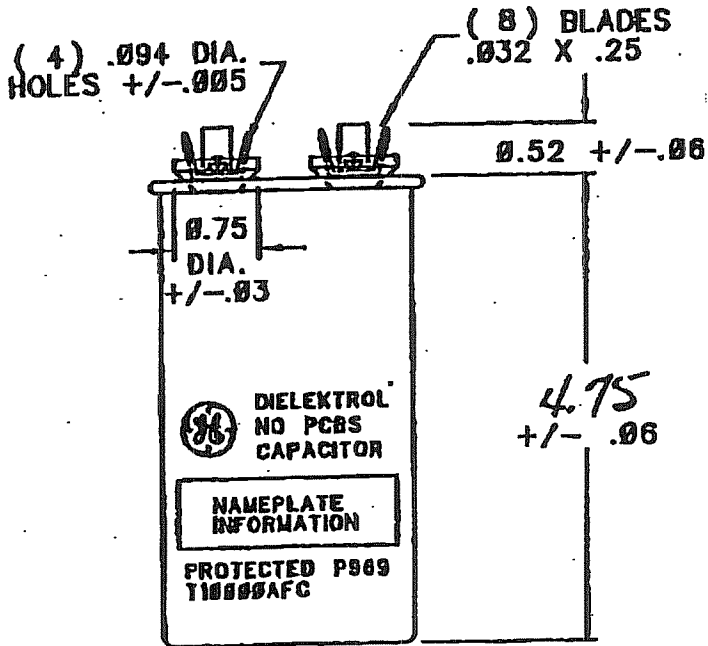
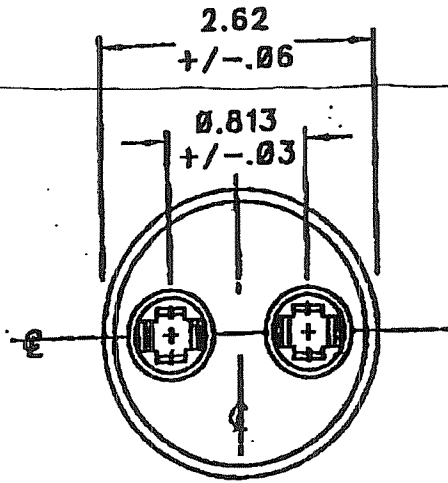
06/01/98 15:35 GE MOTORS COO - 708 208 2651

06/01/98

Julie

SIZE A DWG. NO. 97F8313

97F8313



Prepared for:

VOLTS	uf	Hz	Ph
600 AC	46.0	60	1.

Prepared by:



CAPACITOR AND POWER
PROTECTION OPERATION
FORT EDWARD NY 12828

SIZE

A

OUTLINE
97F8313

DRAWN